

D - Line

Technical Data



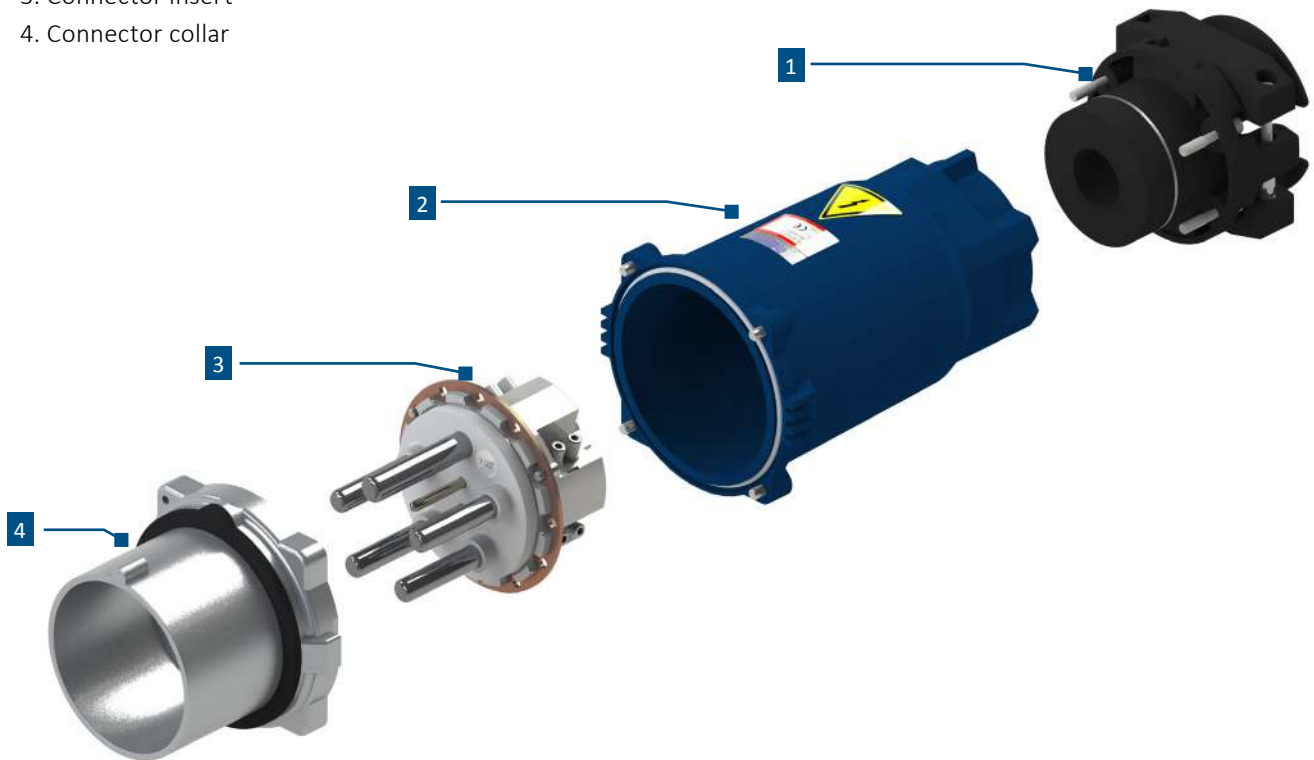
Technical Data	Unit	D - Line
Nominal current	A	160
Rated current	A	180
Rated voltage	V	1.000
Rated frequency	Hz	50 / 60
Withstand voltage (1 min / 50 Hz)	V	4.000
Protection grade		IP 67
Shock resistance		IK 10
Ambient temperature	°C	- 40 / + 100
Insulation resistance (Phase-phase and phase-earth)	MOhm	> 500
Comparative tracking index of the insert	CTI	> 600
Terminal cross-section (EN 60228 Class 5)	mm ²	35 - 150
max. cross section pilot cable, conductor (EN60228 Class 5)	mm ²	4
Diameter of cable	mm	34 - 66
Diameter of cable - separate pilot cable	mm	5 - 10

Technical modifications reserved

Structure

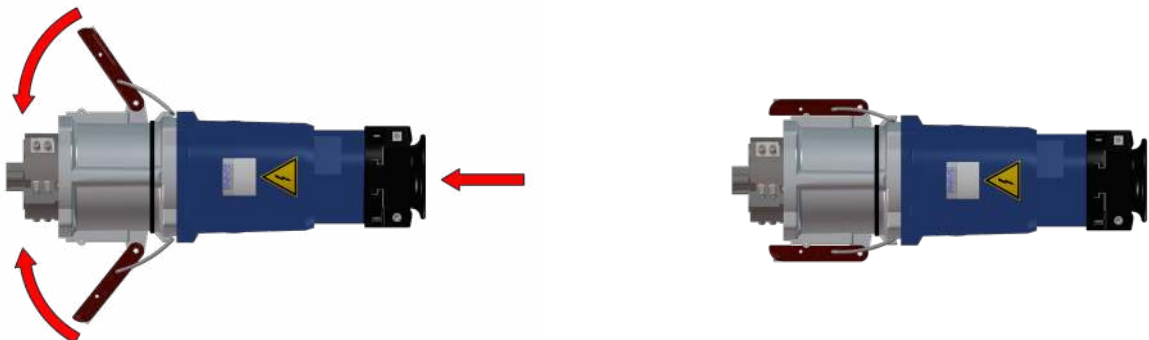
Structure of D-Line connector

1. Cable gland
2. Plastic housing
3. Connector insert
4. Connector collar



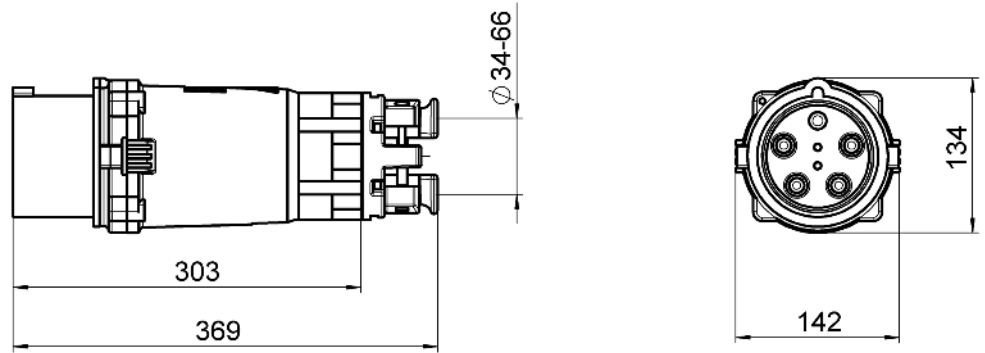
Locking system

Mechanically easy designed locking system, which reduces the force required during plugging and pulling.

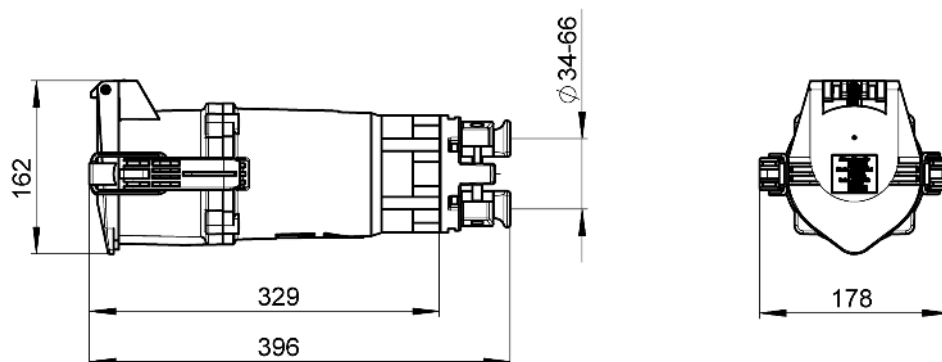


MC

Plug



Current	No. of Poles	Voltage	Type designation	Article No.
160 A	4 (3L+PEN)	230V	MC-S4/160 230V-9h	25120
		400V	MC-S4/160 400V-6h	25121
		500V	MC-S4/160 500V-7h	25122
		690V	MC-S4/160 690V-5h	25123
		1000V	MC-S4/160 1000V-1h	25124
	5 (3L+N+PE)	230V	MC-S5/160 230V-9h	25130
		400V	MC-S5/160 400V-6h	25131
		500V	MC-S5/160 500V-7h	25132
		690V	MC-S5/160 690V-5h	25133
		1000V	MC-S5/160 1000V-1h	25134

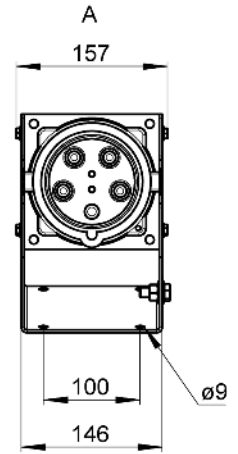
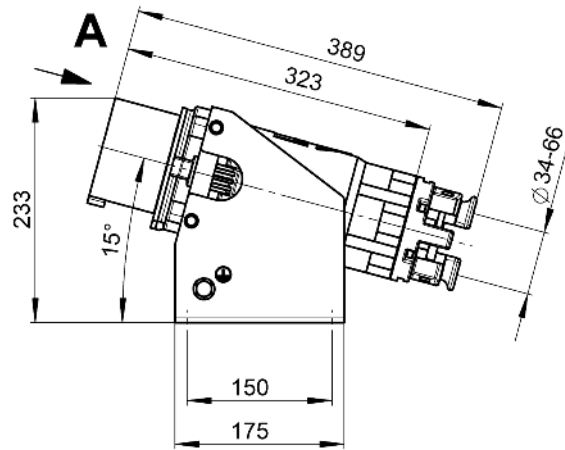
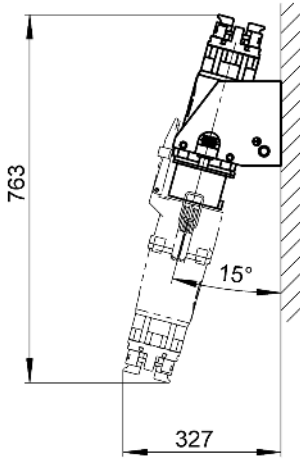


Current	No. of Poles	Voltage	Type designation	Article No.
160 A	4 (3L+PEN)	230V	FC-S4/160 230V-9h	25125
		400V	FC-S4/160 400V-6h	25126
		500V	FC-S4/160 500V-7h	25127
		690V	FC-S4/160 690V-5h	25128
		1000V	FC-S4/160 1000V-1h	25129
	5 (3L+N+PE)	230V	FC-S5/160 230V-9h	25135
		400V	FC-S5/160 400V-6h	25136
		500V	FC-S5/160 500V-7h	25137
		690V	FC-S5/160 690V-5h	25138
		1000V	FC-S5/160 1000V-1h	25139

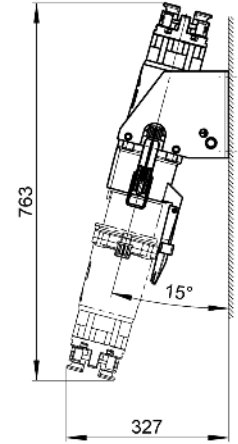
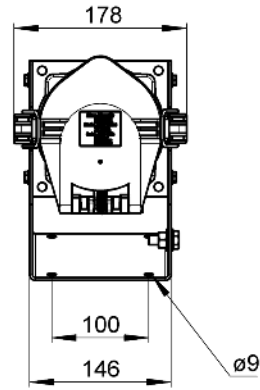
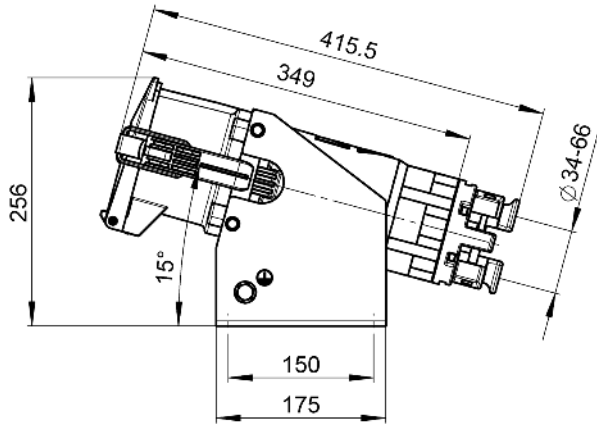


MCW

Wall Mounted Inlet



Current	No. of Poles	Voltage	Type designation	Article No.
160 A	4 (3L+PEN)	230V	MCW-S4/160 230V-9h	25140
		400V	MCW-S4/160 400V-6h	25141
		500V	MCW-S4/160 500V-7h	25142
		690V	MCW-S4/160 690V-5h	25143
		1000V	MCW-S4/160 1000V-1h	25144
	5 (3L+N+PE)	230V	MCW-S5/160 230V-9h	25150
		400V	MCW-S5/160 400V-6h	25151
		500V	MCW-S5/160 500V-7h	25152
		690V	MCW-S5/160 690V-5h	25153
		1000V	MCW-S5/160 1000V-1h	25154

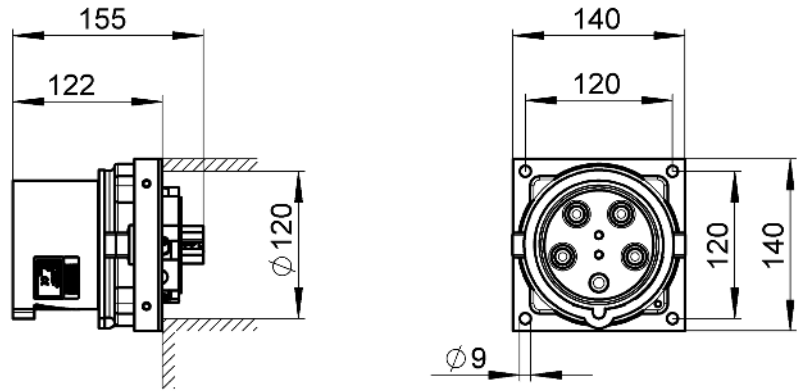


Current	No. of Poles	Voltage	Type designation	Article No.
160 A	4 (3L+PEN)	230V	FCW-S4/160 230V-9h	25145
		400V	FCW-S4/160 400V-6h	25146
		500V	FCW-S4/160 500V-7h	25147
		690V	FCW-S4/160 690V-5h	25148
		1000V	FCW-S4/160 1000V-1h	25149
	5 (3L+N+PE)	230V	FCW-S5/160 230V-9h	25155
		400V	FCW-S5/160 400V-6h	25156
		500V	FCW-S5/160 500V-7h	25157
		690V	FCW-S5/160 690V-5h	25158
		1000V	FCW-S5/160 1000V-1h	25159

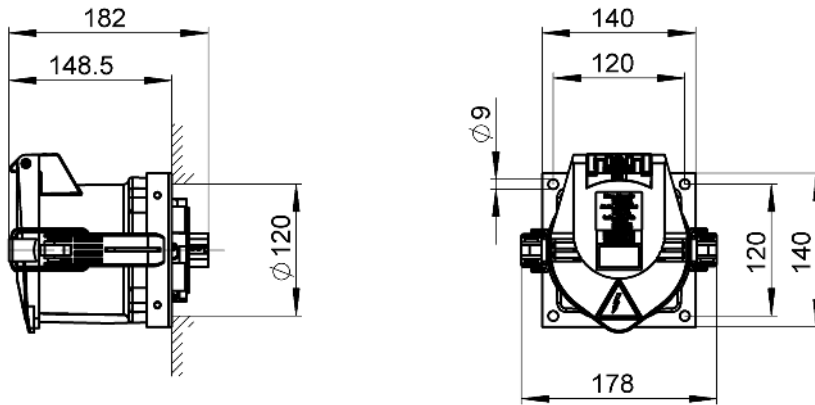


MCP

Panel Mounted Inlet



Current	No. of Poles	Voltage	Type designation	Article No.
160 A	4 (3L+PEN)	230V	MCP-S4/160 230V-9h	25160
		400V	MCP-S4/160 400V-6h	25161
		500V	MCP-S4/160 500V-7h	25162
		690V	MCP-S4/160 690V-5h	25163
		1000V	MCP-S4/160 1000V-1h	25164
	5 (3L+N+PE)	230V	MCP-S5/160 230V-9h	25170
		400V	MCP-S5/160 400V-6h	25171
		500V	MCP-S5/160 500V-7h	25172
		690V	MCP-S5/160 690V-5h	25173
		1000V	MCP-S5/160 1000V-1h	25174

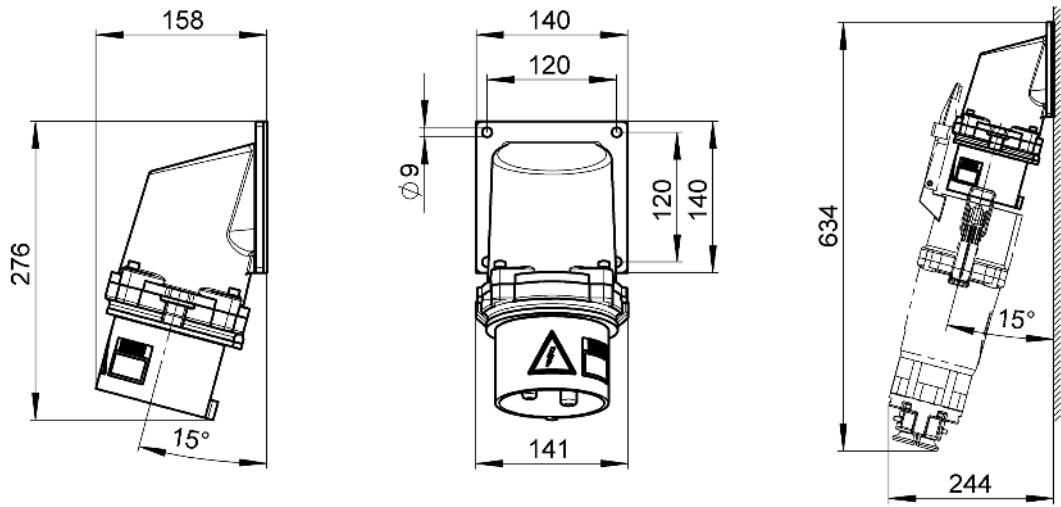


Current	No. of Poles	Voltage	Type designation	Article No.
160 A	4 (3L+PEN)	230V	FCP-S4/160 230V-9h	25165
		400V	FCP-S4/160 400V-6h	25166
		500V	FCP-S4/160 500V-7h	25167
		690V	FCP-S4/160 690V-5h	25168
		1000V	FCP-S4/160 1000V-1h	25169
	5 (3L+N+PE)	230V	FCP-S5/160 230V-9h	25175
		400V	FCP-S5/160 400V-6h	25176
		500V	FCP-S5/160 500V-7h	25177
		690V	FCP-S5/160 690V-5h	25178
		1000V	FCP-S5/160 1000V-1h	25179

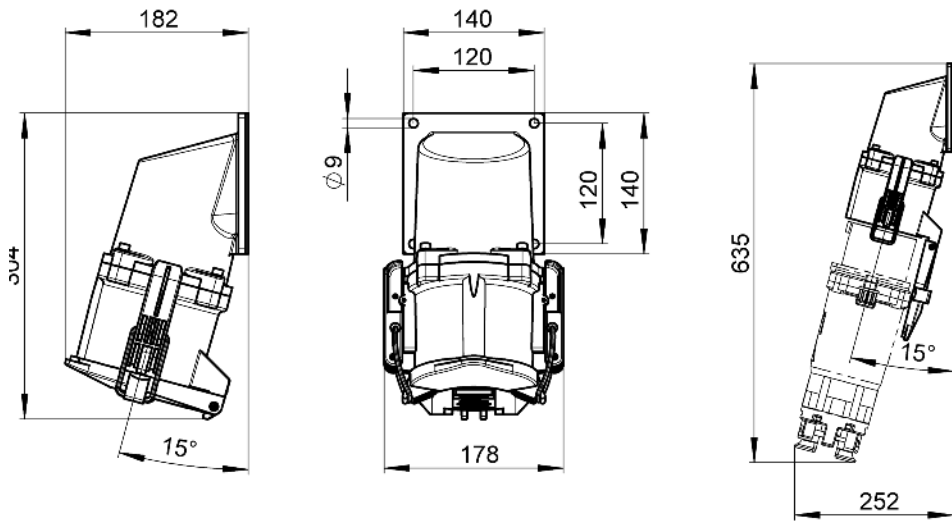


MCPA

Panel Mounted Inlet Angled



Current	No. of Poles	Voltage	Type designation	Article No.
160 A	4 (3L+PEN)	230V	MCPA-S4/160 230V-9h	25180
		400V	MCPA-S4/160 400V-6h	25181
		500V	MCPA-S4/160 500V-7h	25182
		690V	MCPA-S4/160 690V-5h	25183
		1000V	MCPA-S4/160 1000V-1h	25184
	5 (3L+N+PE)	230V	MCPA-S5/160 230V-9h	25190
		400V	MCPA-S5/160 400V-6h	25191
		500V	MCPA-S5/160 500V-7h	25192
		690V	MCPA-S5/160 690V-5h	25193
		1000V	MCPA-S5/160 1000V-1h	25194



Current	No. of Poles	Voltage	Type designation	Article No.
160 A	4 (3L+PEN)	230V	FCPA-S4/160 230V-9h	25185
		400V	FCPA-S4/160 400V-6h	25186
		500V	FCPA-S4/160 500V-7h	25187
		690V	FCPA-S4/160 690V-5h	25188
		1000V	FCPA-S4/160 1000V-1h	25189
	5 (3L+N+PE)	230V	FCPA-S5/160 230V-9h	25195
		400V	FCPA-S5/160 400V-6h	25196
		500V	FCPA-S5/160 500V-7h	25197
		690V	FCPA-S5/160 690V-5h	25198
		1000V	FCPA-S5/160 1000V-1h	25199



Options

Accessories for every requirement



Seawater resistant connector

For port applications, an option often requested by the customer. The seawater-resistant design prevents oxidation on the housing.

Seawater resistant connectors upon request.



Vibration resistant connectors

On request there are vibration resistant connectors available. This option is frequently asked for railway applications.



Accessories:

- Protective cover aluminium (article number: 12122)
- Protective cover plastic (article number: 26263)
- Screwed cable gland for separate pilot cable (article number 13642)
- Padlock (article number: 14349)

General information

Plastic housing D-Line

The D-Line connectors have a special plastic housing. This housing has special properties for applications and is resistant to many chemicals (see table).

- High thermal stability
- Very good insulating properties
- High dielectric strength
- Resistance to many different chemicals
- Compliant with RoHS Directive 2011/65 / EU
- High impact strength and resistance

Plastic housing characteristics

Chemicals	Resistant	Not resistant
Acetic acid	X	
Citric acid solution	X	
Lactic acid	X	
Hydrochloric acid		X
Nitric acid		X
Sulfuric acid		X
Chromic Acid Solution		X
Sodium hydroxide solution	X	
Isopropanol	X	
Methanol	X	
Ethanol	X	
Hydrogen peroxide		X

Chemicals	Resistant	Not resistant
N-hexane	X	
Toluene	X	
Iso-octane	X	
Acetone	X	
Diethyl ether	X	
SAE10W40 Multi-range oil	X	
Diesel oil	X	
Sodium hypochlorite solution		X
Zinc chloride solution		X
Ethyl acetate	X	
Ethylene glycol		X
Water	X	

Weight and packaging-information

Article		Weight (kg)	Packaging Bulk outside (mm)
Plug MC	4-polig	2.7	405 x 190 x 185
	5-polig	2.9	405 x 190 x 185
Panel Mounted Inlet MCP	4-polig	2.2	286 x 204 x 140
	5-polig	2.4	286 x 204 x 140
Panel Mounted Inlet Angled MCPA	4-polig	4.2	462 x 240 x 242
	5-polig	4.4	462 x 240 x 242
Wall Mounted Inlet MCW	4-polig	3.6	360 x 240 x 200
	5-polig	3.8	360 x 240 x 200
Coupling FC	4-polig	3.4	405 x 190 x 185
	5-polig	3.6	405 x 190 x 185
Panel Mounted Receptacle FCP	4-polig	3.2	405 x 190 x 185
	5-polig	3.5	405 x 190 x 185
Panel Mounted Receptacle Angled FCPA	4-polig	4.4	462 x 240 x 242
	5-polig	4.6	462 x 240 x 242
Wall Mounted Receptacle FCW	4-polig	4.3	360 x 240 x 200
	5-polig	4.5	360 x 240 x 200